

TECHNICAL DATA

protocol	TCP, IP, UDP, ARP, ICMP, Ethernet MAC
network interface	10/100 Base-T Ethernet
serial port – supported mode	RS 422 - full duplex RS 485 – half duplex
transmitter control – mode RS485	by signal TxD
receiver control – mode RS422	permanent
serial line format	8N1, 8O1, 8E1, 7O1 7E1
serial flow control	None, XON/XOFF, CTS/RTS
transmission speed	1 200b/s - 115kb/s
supported serial signals	RxD, TxD, RTS, CTS, DTR, DSR
galvanical isolation RS422/RS485	1 kV
connector RS422/RS485	D-SUB 9 pin M
connector Ethernet	RJ45
connector power supply	plug 1.3mm
optical indication	RxD, TxD, PWR, Col, 10Mb, 100Mb, Link
software	download and configuration
power supply	9-30V DC, 10-24V AC
power consumption	max 2W
dimension	95 x 35 x 50 mm



PRO serie

PRO 4.0/485
isolated interface
RS422/RS485 - Ethernet

CONDITIONS OF WARRANTY

ComErgon Ltd. provides full warranty of 12 month for serial interface module PRO 4.0/485 starting on the day of purchase.

The warranty is except for the cases in which the functioning of the module has been affected by faulty manipulation, natural catastrophes or other external factors.

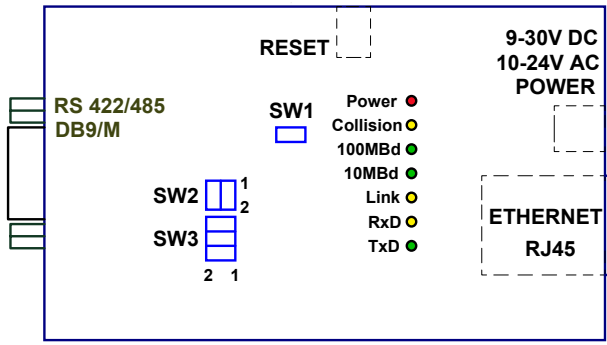


Pionierska 15, 831 02 Bratislava
Slovak Republic

tel.: +421-2- 4445 8783
tel./ fax.: +421-2- 4425 9006

e-mail: service@comergon.sk
http: www.comergon.sk

LAYOUT



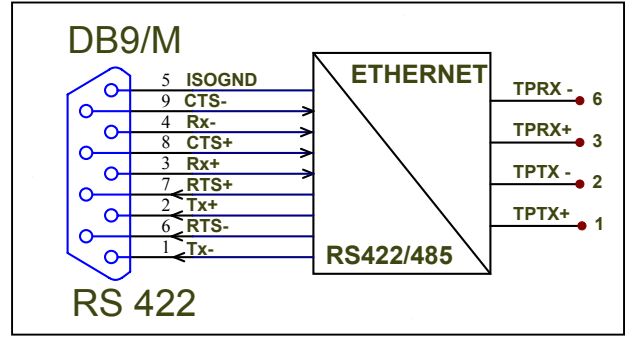
TRANSFER MODE SELECTION – SW2

SW2 – 1_2 ON, 3_4 ON RS 485 (A, B)
 SW2 – 1_2 OFF, 3_4 OFF RS 422 (Tx+, Tx-, Rx+, Rx-)

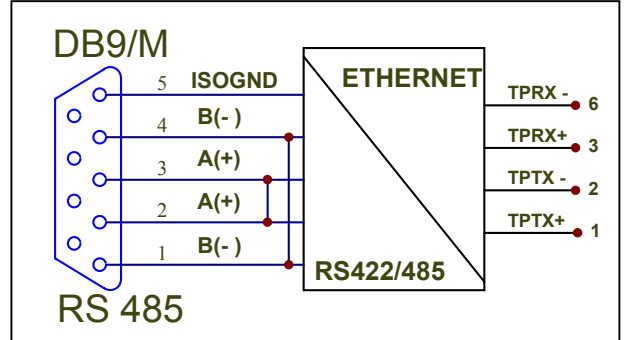
SETTING OF OPERATING MODES – SW1, SW3

SW1	TRANSMITTER CONTROL	RECEIVER CONTROL
ON	TxD	inverse to TxD – RS485
OFF	TxD	permanent – RS422
SW3 – TERMINATOR, HOLD LINE		
1 2	ON	terminator 120 Ω
3 4	ON	hold line – pull down
5 6	ON	hold line – pull up

CONNECTORS – mode RS422 (SW2 - OFF)



CONNECTORS – mode RS485 (SW2 - ON)



STANDARD SETTING

transfer mode
 transmitter control RS485
 receiver control RS485
 terminator

RS485 – half duplex
 signal TxD
 inverse to transmitter
 120 Ω + pull up, down